

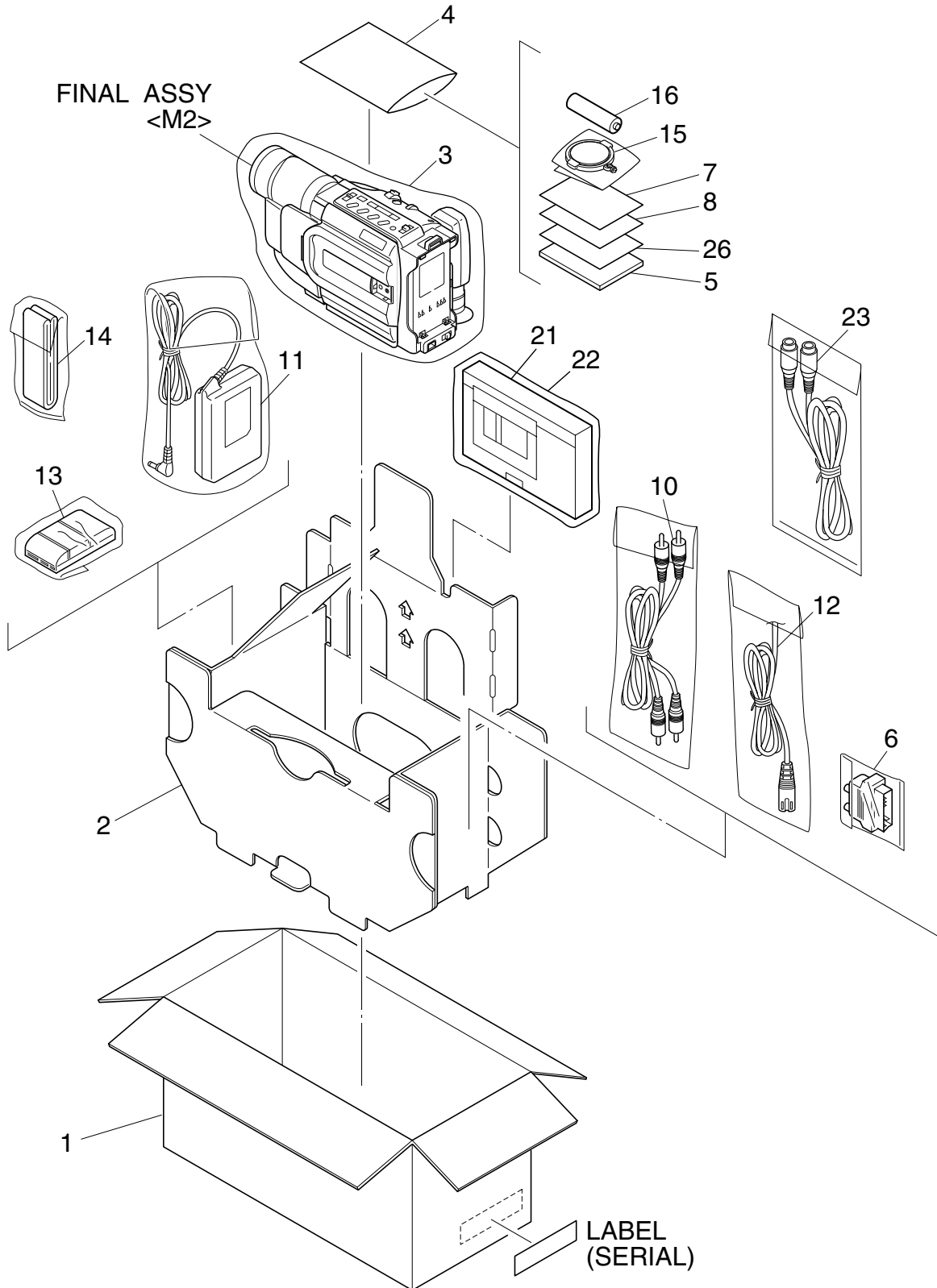
# SECTION 5 PARTS LIST

## SAFETY PRECAUTION

Parts identified by the  symbol are critical for safety. Replace only with specified part numbers.

### 5.1 PACKING AND ACCESSORY ASSEMBLY <M1>

The instruction manual to be provided with this product will differ according to the destination.



# △ REF No. PART No. PART NAME, DESCRIPTION  
 \*\*\*\*\*

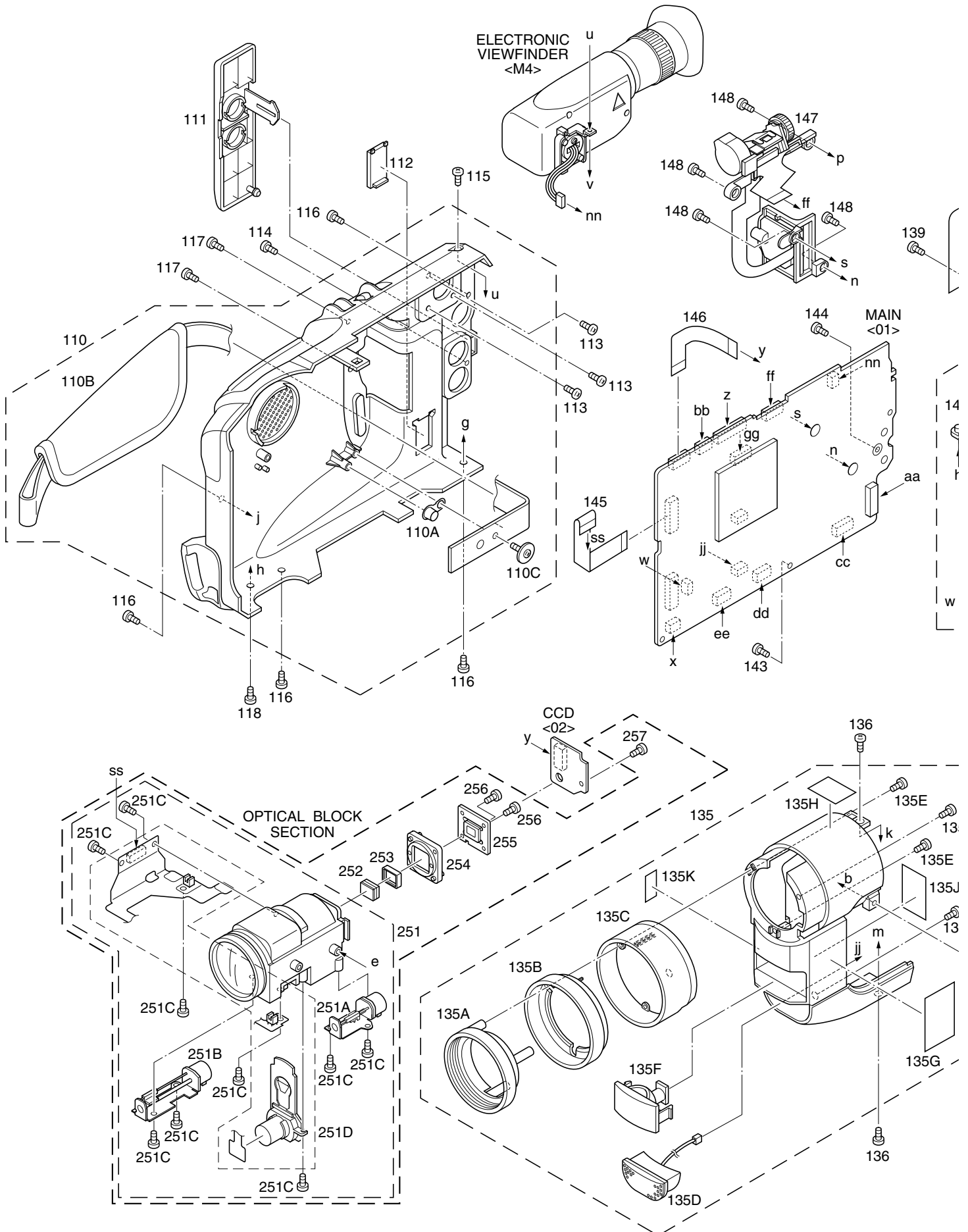
**PACKING AND ACCESSORY ASSEMBLY <M1>**

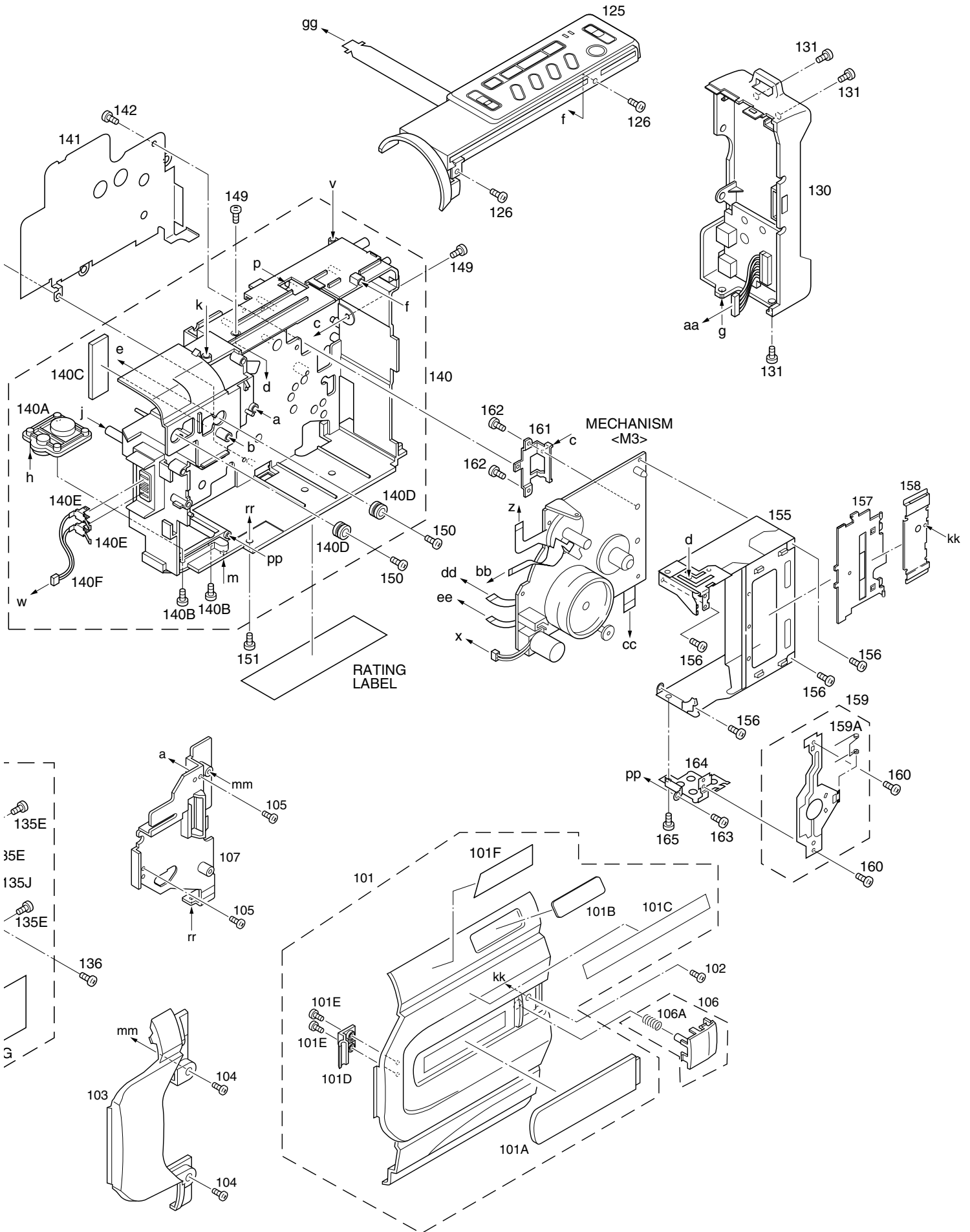
- 1 LY32179-003A PACKING CASE
- 2 LY32553-001A CUSHION
- 3 LY30023-002A POLY BAG
- 4 QPA02003506 POLY BAG,A,B,C
- YQM30061-3 POLY BAG,D
- △ 5 LTY0860-002B INST.BOOK(GE),B
- △ LYT0860-003B INST.BOOK(FR),B
- △ LYT0860-004B INST.BOOK(DU),B
- △ LYT0860-005B INST.BOOK(SP),B
- △ LYT0860-006B INST.BOOK(IT),B
- △ LYT0860-011A INST.BOOK(RU),C
- △ LYT0860-012A INST.BOOK(CZ),C
- △ LYT0860-013A INST.BOOK(PO),C
- △ LYT0860-014A INST.BOOK(HU),C
- △ LYT0861-001B INST.BOOK(EN),D
- △ LYT0933-001A INST.BOOK(RU),A
- 6 PEMC1174 CONNECTOR,CABLE ADAPTER,VC-V3595E,B,C,D
- 7 BT-54008-2 GUARANTY CARD,D
- 8 BT-54013-2 WARRANTY CARD,A,B,C
- 10 PEAC0362-150 CABLE ASSY,AUDIO/VIDEO CABLE
- △ 11 LY20847-001B AC ADAPTER,AP-V12EG,A,B,C
- △ LY20847-001C AC ADAPTER,AP-V12EG,D
- △ 12 QMPL120-190-JR POWER CORD,A,B,C
- △ QMPP110-190-JR POWER CORD,D
- △ 13 YQ10629E BATTERY PACK,BN-V11U-E
- 14 LY20186-001A SHOULDER STRAP
- 15 LY43388-001A LENS CAP
- 16 - BATTERY,AA(R6),A
- 21 YQ31963B-3 CASSETTE ADAPTER,A
- 22 YQ43446 POLY BAG,A
- 23 QAM0004-003 S CABLE,B,C,D
- 26 LYT0194-001B Q.CARD(JUK),D

MODEL	MARK
GR-SX23EG-R	A
GR-SX24EG-X	B
GR-SX24EG-Z	C
GR-SX24EK	D

- **INSTRUCTIONS**
- GE ..... GERMANY
- FR ..... FRENCH
- DU ..... DUTCH
- SP ..... SPANISH
- IT ..... ITALIAN
- RU ..... RUSSIAN
- CZ ..... CZECH
- PO ..... POLISH
- HU ..... HUNGARIAN
- EN ..... ENGLISH

5.2 FINAL ASSEMBLY <M2>





#	△ REF No.	PART No.	PART NAME, DESCRIPTION
*****			
<b>FINAL ASSEMBLY &lt;M2&gt;</b>			
101		LY20680-017A	CASSETTE COVER(S)ASSY,B,D
		LY20680-021A	CASSETTE COVER(S)ASSY,A,C
101A		LY32405-002A	PLATE(WINDOW S)
101B		LY42883-001A	MARK
101C		LY32562-002A	STICKER(B)
101D		LY32024-001B	HINGE(CASSETTE COVER)
101E		QYSLSF2060D	SCREW,X2
101F		LY43537-001A	STICKER(E),A,C
102		QYSLSP2030D	SCREW
103		LY10272-018A	UPPER CASE(S),B,C,D
		LY10272-023A	UPPER CASE(S),A
104		QYSLSF2060D	SCREW,X2
105		QYSLSF2060D	SCREW,X2
106		LY32041-001E	BUTTON(PUSH)ASSY
106A		LY30002-049B	COMPRESSION SPRING
107		LY32038-001A	UPPER COVER(S)ASSY
110		LY20684-020A	LOWER CASE ASSY,A
		LY20684-021A	LOWER CASE ASSY,B,C,D
110A		LY40081-001A	CAP
110B		LY20682-001A	GRIP BELT
110C		LY30018-003A	SPECIAL SCREW
111		LY31945-003A	COVER(JACK)
112		LY31946-001A	COVER(JIG)
113		QYSLSF2050Z	SCREW,X3
114		QYSLSF2060D	SCREW
115		QYSLSF2060D	SCREW
116		QYSLSF2060D	SCREW,X4
117		QYSLSF2060D	SCREW,X2
118		QYSLSF2060D	SCREW
125		LY20614-002C	TOP OPERATION UNIT,B,C,D
		LY20614-014C	TOP OPERATION UNIT,A
126		QYSLSF2060D	SCREW,X2
130		LY20615-006E	REAR UNIT
131		QYSLSF2060D	SCREW,X3
135		LY20683-030A	FRONT COVER ASSY,A
		LY20683-033A	FRONT COVER ASSY,B,C,D
135A		LY31937-001A	HOOD
135B		LY31938-001A	COVER(HOOD)
135C		LY31936-001A	RING
135D		LY32482-001A	MICROPHONE
135E		QYSLSF2060D	SCREW,X4
135F		LY30934-022A	COVER(LIGHT),A
		LY32040-001A	DC LIGHT,B,C,D
135G		LY32058-001A	STICKER(A),A
		LY32058-002A	STICKER(A),B,C,D
135H		LY32060-005A	STICKER(C),A
		LY32060-004A	STICKER(C),B,C,D
135J		LY30029-0B4A	SPACER(A),B,C,D
135K		YQ44341-6	CAUTION LABEL,B,C,D
136		QYSLSF2060D	SCREW,X3
139		QYSPSTU1725M	SCREW
140		LY20832-002B	FRAME ASSY,A
		LY20832-001B	FRAME ASSY,B,C,D
140A		YQ31843	BASE
140B		QYSLSF2060D	SCREW,X2
140C		LY30029-0A4A	SPACER(A)
140D		LY41082-001A	CUSHION(OP),X2
140E		YQ43810-1-1	CONTACT(LIGHT),X2,B,C,D
140F		WJM0259-001A	E-SI C WIRE C-F,B,C,D

#	△ REF No.	PART No.	PART NAME, DESCRIPTION
141		LY32327-001A	SHIELD CASE(MAIN)
142		QYSPSPU1720Z	SCREW
143		QYSLSF2060D	SCREW
144		QYSLSF2060D	SCREW
145		WJT0072-001A	E-CARD WIRE,OP-MAIN CN15
146		QAL0389-001	FPC,MAIN CN22-CCD CN5301
147		LY20613-001B	ZOOM UNIT
148		QYSLSF2060D	SCREW,X4
149		LY41173-001A	SPECIAL SCREW,X2
150		LY30018-050A	SPECIAL SCREW,X2
151		QYSLSP2030D	SCREW
155		LY31808-001C	CASSETTE HOUSING FINAL ASSY
156		LY42722-003A	SCREW,X4
157		LY31294-001B	CASSETTE COVER INSIDE
158		LY32026-001B	BRACKET(C.C/S)
159		LY31790-001A	FRONT FRAME ASSY
159A		YQ44144-1-1	TAPE GUIDE
160		SPSH1725M	SCREW,X2
161		LY32326-001A	BRACKET(MECHA)
162		LY42722-003A	SCREW,X2
163		QYSLSF1750D	SCREW
164		LY31807-001A	SIDE BRACKET L
165		LY42722-003A	SCREW
<b>- OPTICAL BLOCK SECTION -</b>			
251		LY30948-003A	OP BLOCK ASSY
251A		PTY30948-002	FOCUS MOTOR
251B		PTY30948-301	ZOOM MOTOR
251C		PTY30151-016	TAPPING SCREW,X9
251D		PTY30948-006	IRIS MOTOR UNIT
252		LY43383-001A	OPTICAL LPF
253		LY31370-001A	SPACER RUBBER
254		LY20497-001A	CCD SPACER
255		LYH30374-001A	CCD BASE ASSY
256		QYSPSGU2080Z	SCREW,X2
257		LY30018-072A	SPECIAL SCREW